

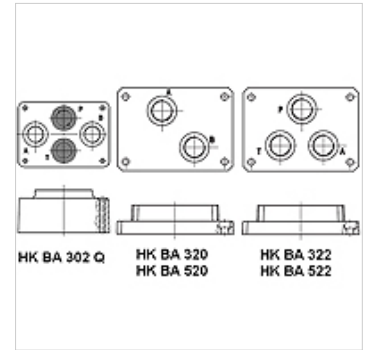
# HK BA QV

Mounting plate for flow control valve QV

**HANSA FLEX**

## Properties

<b>Scope of supply</b>	incl. set of screws
<b>Material</b>	Material: Steel (350 bar)
<b>Connection</b>	ISO/Cetop 03, 06, 07



## Item

Identification	Connections	for valve type	Stations	Height (mm)	Width (mm)	Length (mm)	Scope of supply	Weight (kg)
HK BA 302 Q	A+B 1/2" bottom; P+T sealed	HK QV 06	Single connection	53	80	112	incl. screw set (4x M5 x 70)	1,8
HK BA 320	A+B 1/2" bottom	HK QV 10 2	Single connection	35	106	140	incl. screw set (4x M8 x 80)	4,2
HK BA 322	A+P+T 1/2" bottom	HK QV 10 3	Single connection	35	106	140	incl. screw set (4x M8 x 80)	4,2
HK BA 520	A+B 1" bottom	HK QV 20 2	Single connection	45	130	180	incl. screw set (4x M10 x 80)	5,5
HK BA 522	A+P+T 1" bottom	HK QV 20 3	Single connection	45	130	180	incl. screw set (4x M10 x 80)	5,5

## Accessory for following products

HK QV	Flow control valve for plate mounting Cetop
-------	---------------------------------------------