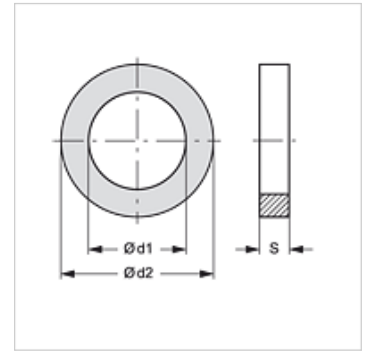


Properties

Material Perbunan 55° Shore A



Item

Identification	Type size	Ø d1 (mm)	Ø d2 (mm)	S (mm)
MDR 25	25	24,5	36,0	6,0
MDR -X25	X25	28,5	43,5	6,0
MDR 35	35	36,5	53,5	6,0
MDR 42	42	41,0	55,0	6,5
MDR 50	50	51,0	67,0	6,0
MDR 65	65	61,0	76,0	6,3

Spare part for following products

MM AG	Mortar coupling, female part AGR
MM IG	Mortar coupling, female part IGR
MM TUELLE	Mortar coupling, female part with hose nozzle
MM V	Mortar coupling, female-male part reduction