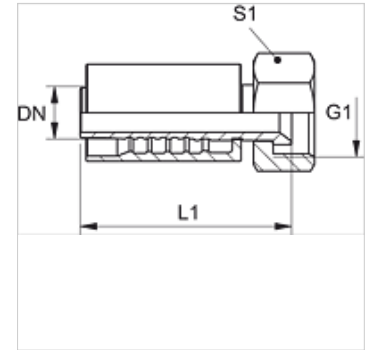


PA 700 AJ

Swage fitting, DKJ

Properties

Application	Swage fitting for HD 400 hoses
Connection 1	UN/UNF nut threads
Sealing form 1	74° inner cone
Short code	DKJ
Standard	ISO 8434-2
Integration	with pull-out protection (interlock)
Scope of supply	Swage nipple + swage ferrule
Material	Steel
Surface	electro galvanised



Item

Identification	DN	Size	Inches	Operating pressure (bar)	G1	L1 (mm)	S1
PA 713 AJ 16	12	8	1/2"	345,0	7/8" -14 UNF	66,5	25
PA 716 AJ 20	16	10	5/8"	345,0	1.1/16" -12 UN	81,0	30