

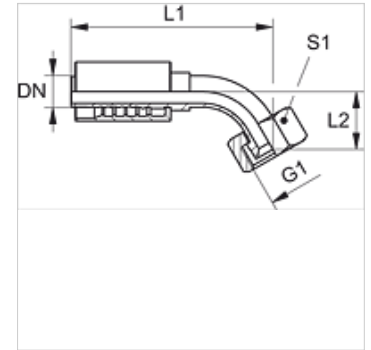
PA 700 AJ 45

Swage fitting, DKJ angle 45°

HANSA FLEX

Properties

Application	Swage fitting for HD 400 hoses
Connection 1	UN/UNF nut threads
Sealing form 1	74° inner cone
Short code	DKJ
Standard	ISO 8434-2
Integration	with pull-out protection (interlock)
Scope of supply	Swage nipple + swage ferrule
Material	Steel
Surface	electro galvanised



Item

Identification	DN	Size	Inches	Operating pressure (bar)	G1	L1 (mm)	L2 (mm)	S1
PA 713 AJ 45	12	8	1/2"	345,0	3/4"-16 UNF	92,8	21,5	24
PA 713 AJ 16 45	12	8	5/8"	345,0	7/8"-14 UNF	92,8	20,0	25
PA 716 AJ 45	16	10	5/8"	345,0	7/8"-14 UNF	116,5	25,0	25
PA 716 AJ 20 45	16	10	5/8"	345,0	1.1/16"-12 UN	114,0	23,5	32