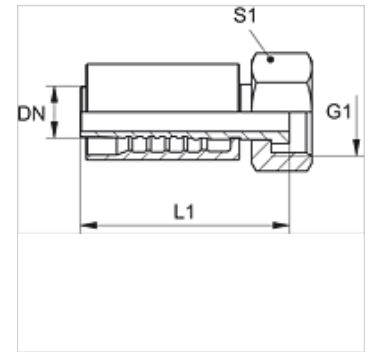


PA 700 AJF

Swage fitting, ORFS

Properties

| | |
|------------------------|--------------------------------------|
| Application | Swage fitting for HD 400 hoses |
| Connection 1 | UN/UNF nut threads |
| Sealing form 1 | flat sealing |
| Short code | ORFS |
| Standard | ISO 8434-3 |
| Integration | with pull-out protection (interlock) |
| Scope of supply | Swage nipple + swage ferrule |
| Material | Steel |
| Surface | electro galvanised |



Item

| Identification | DN | Size | Inches | Operating pressure (bar) | G1 | L1 (mm) | S1 |
|----------------|----|------|--------|-----------------------------|----------------|------------|----|
| PA 713 AJF | 12 | 8 | 1/2" | 413,0 | 13/16" -16 UN | 65,8 | 27 |
| PA 716 AJF | 16 | 10 | 5/8" | 413,0 | 1" -14 UNS | 82,0 | 30 |
| PA 716 AJF 20 | 16 | 10 | 5/8" | 413,0 | 1.3/16" -12 UN | 82,0 | 36 |
| PA 720 AJF | 19 | 12 | 3/4" | 413,0 | 1.3/16" -12 UN | 107,0 | 36 |
| PA 720 AJF 25 | 19 | 12 | 3/4" | 413,0 | 1.7/16" -12 UN | 108,4 | 41 |
| PA 725 AJF | 25 | 16 | 1" | 413,0 | 1.7/16" -12 UN | 122,0 | 41 |