

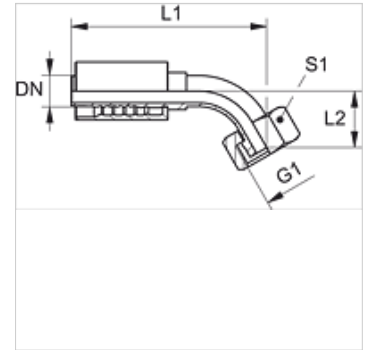
PA 700 AJF 45

Swage fitting, ORFS angle 45°

HANSA FLEX

Properties

Application	Swage fitting for HD 400 hoses
Connection 1	UN/UNF nut threads
Sealing form 1	flat sealing
Short code	ORFS
Standard	ISO 8434-3
Integration	with pull-out protection (interlock)
Scope of supply	Swage nipple + swage ferrule
Material	Steel
Surface	electro galvanised



Item

Identification	DN	Size	Inches	Operating pressure (bar)	G1	L1 (mm)	L2 (mm)	S1
PA 713 AJF 45	12	8	1/2"	413,0	11/16" -16 UN	91,5	21,5	27
PA 716 AJF 45	16	10	5/8"	413,0	1" -14 UNS	111,0	20,0	30
PA 720 AJF 45	19	12	3/4"	413,0	1.3/16" -12 UN	133,0	26,5	36
PA 725 AJF 45	25	16	1"	413,0	1.7/16" -12 UN	160,5	31,0	41