

PA 700 AOB 45

Swage fitting, DKOR angle 45°

HANSA FLEX

Properties

Application Swage fitting for HD 400 hoses

Connection 1 BSP nut thread

Sealing form 1 60° outer cone with O-ring

Short code DKOR

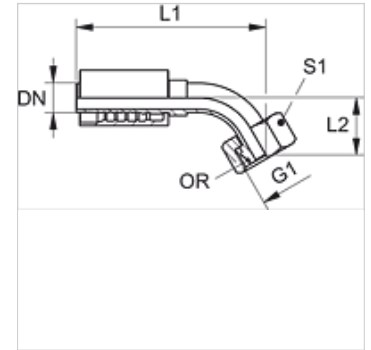
Standard ISO 8434-6
BS 5200

Integration with pull-out protection (interlock)

Scope of supply Swage nipple + swage ferrule

Material Steel

Surface electro galvanised



Item

Identification	DN	Size	Inches	Operating pressure (bar)	G1	L1 (mm)	L2 (mm)	S1	OR
PA 713 AOB 45	12	8	1/2"	420,0	G 1/2" -14	91,5	20,0	27	12.1 x 1.6
PA 720 AOB 45	19	12	3/4"	420,0	G 3/4" -14	140,0	34,5	32	17.1 x 1.6
PA 725 AOB 45	25	16	1"	420,0	G 1" -11	169,5	39,0	41	22.1 x 1.6