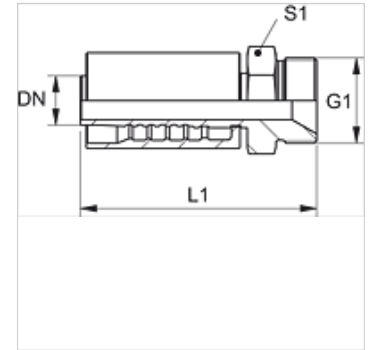


# PA 700 HB

Swage fitting, AGR

## Properties

<b>Application</b>	Swage fitting for HD 400 hoses
<b>Connection 1</b>	BSP external thread, cylindrical
<b>Sealing form 1</b>	60° inner cone
<b>Short code</b>	AGR
<b>Standard</b>	ISO 8434-6 BS 5200
<b>Integration</b>	with pull-out protection (interlock)
<b>Scope of supply</b>	Swage nipple + swage ferrule
<b>Material</b>	Steel
<b>Surface</b>	electro galvanised



Item								
Identification	DN	Size	Inches	Operating pressure (bar)	G1	L1 (mm)	S1	
PA 713 HB	12	8	1/2"	420,0	G 1/2" -14	79,3	27	
PA 716 HB	16	10	5/8"	420,0	G 5/8" -14	92,8	30	
PA 720 HB	19	12	3/4"	420,0	G 3/4" -14	97,5	32	
PA 725 HB	25	16	1"	420,0	G 1" -11	114,5	41	