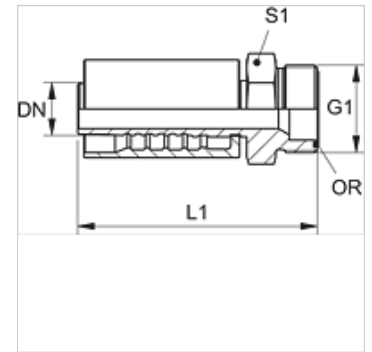


PA 700 HJOF

Swage fitting, ORFS

Properties

Application	Swage fitting for HD 400 hoses
Connection 1	UN/UNF external threads
Sealing form 1	flat seal with O-ring
Short code	ORFS
Standard	ISO 8434-3
Integration	with pull-out protection (interlock)
Scope of supply	Swage nipple + swage ferrule
Material	Steel
Surface	electro galvanised



Item

Identification	DN	Size	Inches	Operating pressure (bar)	G1	L1 (mm)	S1	OR
PA 713 HJOF	12	8	1/2"	413,0	13/16" -16 UN	73,8	22	12.42 x 1.78
PA 716 HJOF	16	10	5/8"	413,0	1" -14 UNS	89,4	27	15.60 x 1.78
PA 720 HJOF	19	12	3/4"	413,0	1.3/16" -12 UN	101,0	32	18.77 x 1.78
PA 725 HJOF	25	16	1"	413,0	1.7/16" -12 UN	117,5	36	23.52 x 1.78