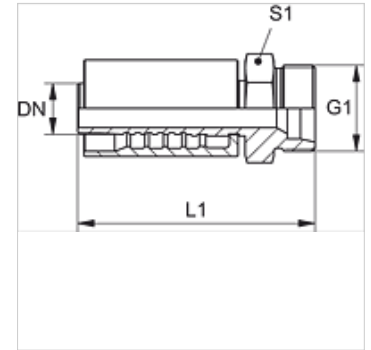


# PA 700 HS

Swage fitting, CES

## Properties

<b>Application</b>	Swage fitting for HD 400 hoses
<b>Connection 1</b>	metric cylindrical outer thread
<b>Sealing form 1</b>	24° inner cone
<b>Short code</b>	CES
<b>Standard</b>	ISO 8434-1
<b>Integration</b>	with pull-out protection (interlock)
<b>Scope of supply</b>	Swage nipple + swage ferrule
<b>Material</b>	Steel
<b>Surface</b>	electro galvanised



## Item

Identification	DN	Size	Inches	Operating pressure (bar)	G1	for external pipe Ø (mm)	L1 (mm)	S1
PA 710 HS 08	10	6	3/8"	630,0	M 20 x 1.5	12	67,8	22
PA 710 HS	10	6	3/8"	630,0	M 22 x 1.5	14	69,7	22
PA 713 HS	12	8	1/2"	420,0	M 24 x 1.5	16	75,0	24
PA 713 HS 16	12	8	1/2"	420,0	M 30 x 2	20	-	-
PA 716 HS	16	10	5/8"	420,0	M 30 x 2	20	90,5	30
PA 720 HS 16	19	12	3/4"	420,0	M 30 x 2	20	97,0	32
PA 720 HS	19	12	3/4"	420,0	M 36 x 2	25	99,0	41
PA 725 HS	25	16	1"	420,0	M 42 x 2	30	117,0	46