

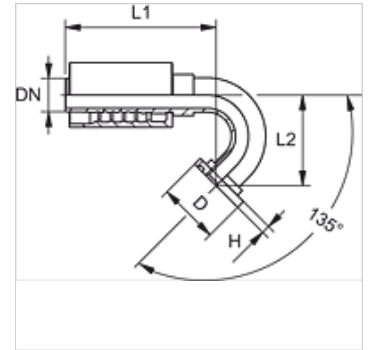
PA 700 SF6 135

Swage fitting, SFS angle 135°

HANSA FLEX

Properties

Application	Swage fitting for HD 400 hoses
Connection 1	SAE flange connection 6000 PSI
Sealing form 1	flat seal with SF O-ring
Short code	SFS
Standard	SAE J518 ISO 6162-2
Integration	with pull-out protection (interlock)
Scope of supply	Swage nipple + swage ferrule
Material	Steel
Surface	electro galvanised



Item

Identification	DN	Size	Inches	Flange size	Operating pressure (bar)	D (mm)	H (mm)	L1 (mm)	L2 (mm)
PA 725 SF6 135	25	16	1"	1"	420,0	47,6	9,5	170,0	100,0