

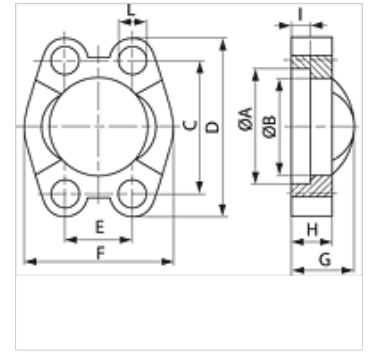
VF (3000 PSI)

SAE full flange

HANSA FLEX

Properties

| | |
|-----------------|--------------------------|
| Pressure series | 3000 psi |
| Design | SAE full flange |
| Standard | SAE J518, ISO 6162-1 /-2 |
| Mounting | Screw bore hole |
| Scope of supply | flange only |
| Material | Steel |
| Surface | electro galvanised |



Note

Recommended screws are listed in the columns M (metr) and M (unc).

Item

| Identification | Flange size | PB 10.9 (bar) | A (mm) | B (mm) | C (mm) | D (mm) | E (mm) | F (mm) | G (mm) | H (mm) | I (mm) | L (mm) | M metr. | M unc |
|----------------|-------------|------------------|-----------|-----------|-----------|-----------|-----------|-----------|-----------|-----------|-----------|-----------|-----------|----------------|
| VF 3001 | 1/2" | 350 | 31,0 | 24,3 | 38,1 | 54 | 17,5 | 45,6 | 19 | 13 | 6,2 | 8,7 | M 8 x 25 | 5/16" x 1.1/4" |
| VF 3002 | 3/4" | 350 | 38,9 | 32,1 | 47,6 | 65 | 22,2 | 51,8 | 22 | 14 | 6,2 | 10,7 | M 10 x 30 | 3/8" x 1.1/4" |
| VF 3003 | 1" | 315 | 45,2 | 38,5 | 52,4 | 70 | 26,2 | 58,4 | 24 | 16 | 7,5 | 10,7 | M 10 x 30 | 3/8" x 1.1/4" |
| VF 3004 | 1.1/4" | 250 | 51,6 | 43,7 | 58,7 | 79 | 30,2 | 72,6 | 22 | 16 | 7,5 | 12,0 | M 10 x 30 | 7/16" x 1.1/2" |
| VF 3004-6000 | 1.1/4" | 400 | 51,6 | 43,7 | 58,7 | 80 | 30,2 | 73,0 | 33 | 24 | 7,5 | 12,5 | M 12 x 45 | - |
| VF 3005 | 1.1/2" | 200 | 61,1 | 50,8 | 69,9 | 94 | 35,7 | 82,2 | 25 | 16 | 7,5 | 13,5 | M 12 x 35 | 1/2" x 1.1/2" |
| VF 3006 | 2" | 200 | 72,2 | 62,7 | 77,8 | 102 | 42,9 | 96,4 | 26 | 16 | 9,0 | 13,5 | M 12 x 35 | 1/2" x 1.1/2" |
| VF 3006-6000 | 2" | 400 | 72,2 | 62,7 | 77,8 | 103 | 42,9 | 97,0 | 43 | 30 | 9,0 | 13,5 | M 12 x 50 | - |
| VF 3007 | 2.1/2" | 160 | 84,9 | 74,9 | 88,9 | 114 | 50,8 | 108,2 | 38 | 19 | 9,0 | 13,5 | M 12 x 40 | 1/2" x 1.1/2" |
| VF 3008 | 3" | 160 | 102,4 | 90,9 | 106,4 | 135 | 61,9 | 130,6 | 41 | 22 | 9,0 | 17,0 | M 16 x 50 | 5/8" x 2" |
| VF 3009 | 3.1/2" | 35 | 115,1 | 102,4 | 120,7 | 152 | 69,9 | 139,0 | 28 | 22 | 10,7 | 17,0 | M 16 x 50 | 5/8" x 2" |
| VF 3010 | 4" | 35 | 127,8 | 115,1 | 130,2 | 162 | 77,8 | 152,0 | 35 | 25 | 10,7 | 17,0 | M 16 x 50 | 5/8" x 2" |
| VF 3011 | 5" | 35 | 153,2 | 140,5 | 152,4 | 184 | 92,1 | 180,0 | 41 | 28 | 10,7 | 17,0 | M 16 x 55 | 5/8" x 2" |

Series: LL = Very light L = Light S = Heavy - Ø = External pipe diameter - PN = Nominal pressure PB = Max. operating pressure

Accessories

| | |
|---------------|----------------------------------|
| AFS SCHR M | Metric screw set, hexagon socket |
| AFS SCHR U | UNC screw set, hexagon socket |
| SCHRAUBE M | Hexagon socket screw |
| SCHRAUBE M VZ | Hexagon socket screw |