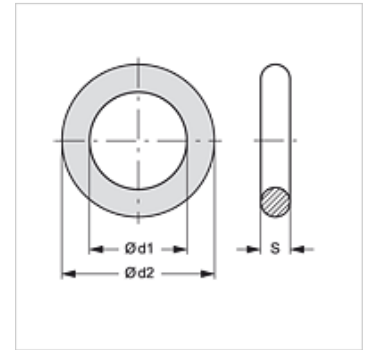


# AC OR TUBO GR

O-ring, TUBO air conditioning

## Properties

<b>Design</b>	Sealing ring
<b>suitable for</b>	for following coolants R134a R404a
<b>Temp. min.</b>	-40 °C
<b>Temp. max.</b>	150 °C
<b>Material</b>	Chloroprene (neoprene)



## Item

Identification	Ø d1 (mm)	Ø d2 (mm)	S (mm)
AC OR TUBO 08 GR	7,6	11,16	1,78
AC OR TUBO 10 GR	10,8	14,36	1,78
AC OR TUBO 13 GR	14,0	17,56	1,78
AC OR TUBO 16 GR	17,2	20,76	1,78

## Accessory for following products

ACN AO	AC clip nipples, pipe connection
ACN AO 45	AC clip nipples, pipe connection, angle 45°
ACN AO 45 BN	AC clip nipples, pipe connection with LP filling valve, angle 45°
ACN AO 90	AC clip nipples, pipe connection, angle 90°
ACN AO 90 BHL	AC clip nipples, pipe connection with HP filling valve, angle 90°
ACN AO 90 BNL	AC clip nipples, pipe connection with LP filling valve, angle 90°
ACN AO BH	AC clip nipples, pipe connection with high-pressure filling valve
ACN AO BN	AC clip nipples, pipe connection with high-pressure filling valve
ACN DF	AC clip nipples for DENSO compressor flange
ACN DF 90	AC clip nipples for DENSO compressor flange, angle 90°
ACN FO	AC clip nipples, for flange mounting
ACN FO 45	AC clip nipples, for flange mounting, angle 45°
ACN FO 90	AC clip nipples, for flange mounting, angle 90°
ACN FO MF	AC clip nipples, pipe connection with flange
ACN FO MF 45	AC clip nipples, pipe connection with flange, angle 45°
ACN FO MF 90	AC clip nipples, pipe connection with flange, angle 90°