

AC OR AOL

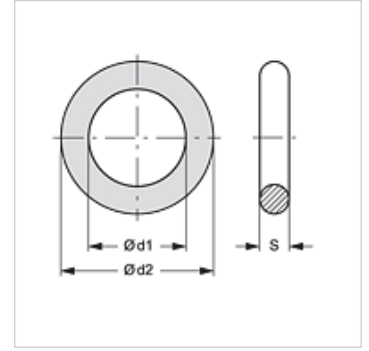
O-ring for DKOL air conditioning

Properties

Temp. min. -40 °C

Temp. max. 125 °C

Material NBR



Item

Identification	for hose DN	$\varnothing d1$ (mm)	$\varnothing d2$ (mm)	S (mm)
AC OR AOL 20	19	20	24	2,0
AC OR AOL 25	25	26	30	2,0
AC OR AOL 32	31	32	37	2,5