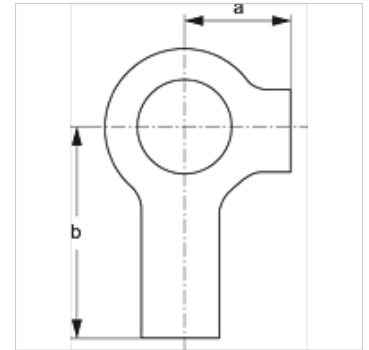
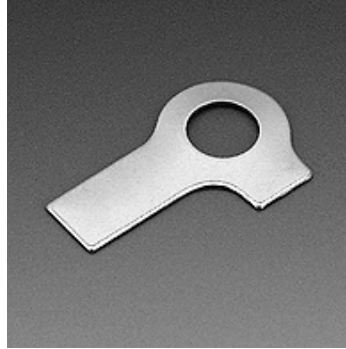


# SRS 0 SIS

Lock washer for single pipe clamp

## Properties

<b>Design</b>	for single pipe clamps
<b>Series</b>	light
<b>Standard</b>	DIN 3015-1
<b>Material</b>	Steel
<b>Surface</b>	electro galvanised



## Description

for all clamp sizes from light series and the double pipe clamp.

## Item

Identification	a (mm)	B (mm)
SRS SI S	9	18

## Additional element for following products

A 1-6	Configuration of group A 1-6
A 0	Configuration of group A 0