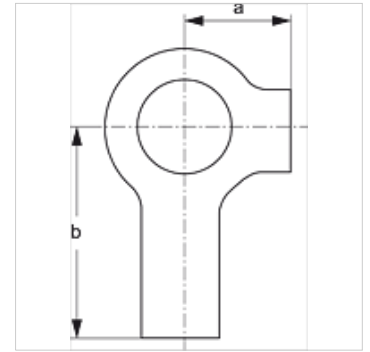


SRS SIS 30-100

Lock washer for single pipe clamp

Properties

Design	for single pipe clamps
Series	heavy
Standard	DIN 3015-2
Material	Steel
Surface	electro galvanised



Item

Identification	Clamp size	a (mm)	b (mm)
SRS SIS 30	1	13	22
SRS SIS 40	2	13	22
SRS SIS 50	3	13	22
SRS SIS 60	4	15	28
SRS SIS 70	5	18	32
SRS SIS 80	6	21	36

Additional element for following products

C D	Configuration of group C double
C	Configuration of group C