

G HB IR-K

Screw-on socket

Properties

Connection 1 BSP external thread, cylindrical

Sealing form 1 thread seal

Connection 2 BSPT conical inner thread

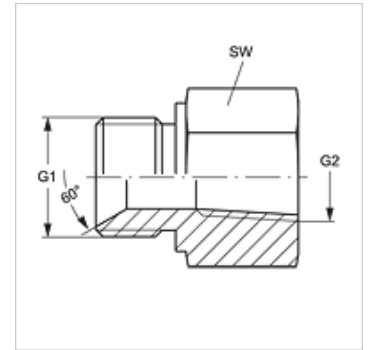
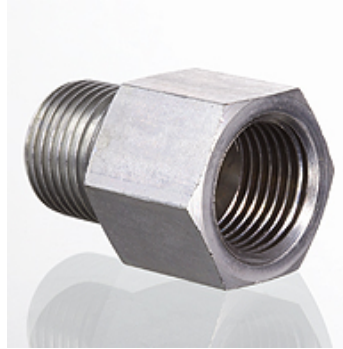
Sealing form 2 thread seal

Design Screw-on socket

Construction straight

Material Steel

Surface electro galvanised



Item

Identification	G1	G2	AF (mm)
G HB 04 IRK	G 1/4" -19	R 1/4" K	19
G HB 06 IRK	G 3/8" -19	R 3/8" K	22
G HB 08 IRK	G 1/2" -14	R 1/2" K	27

AF = Width across flats