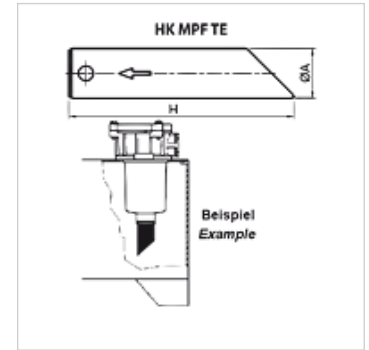


HK MPF TE

Pipe extension for return flow filter MPF

Properties

Material Polyamide



Description

For extending the filter outlet from return-flow filters in the tank
reduction of swirling of the returning oil
Can be individually shortened

Item

Identification	for filter type	Ø A (mm)	H (mm)	Weight (kg)
HK MPF TE25 A300	HK MPF 030 1	25	300	0,2
HK MPF TE32 A500	HK MPF 100 1-2	32	500	0,4
HK MPF TE40 A300	HK MPF 100 3-4	40	300	0,6
HK MPF TE40 A500	HK MPF 180 1-2	40	500	0,8

Accessory for following products

HK MPF GEH	Housing for return flow filter MPF
HK MPF	Return flow filter complete