

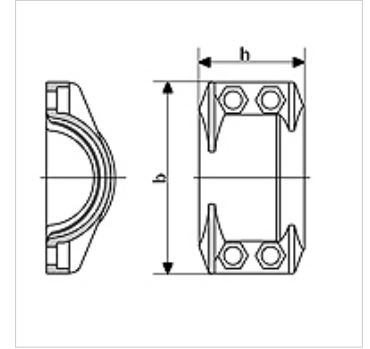
KS AL

Clamp ring fitting, aluminium

HANSA FLEX

Properties

Application	Integrating clamp ring fittings with hose
Standard	DIN 2817
Design	Clamping shells
Scope of supply	Clamping halves, loose, incl. screws and nuts
Material	Aluminium forged



Item

Identification	for hose	Clamping range (mm)	DN*	Max. working pressure (bar)	b (mm)	h (mm)	Screws
KS 22-24 AL	13 x 5	22 - 24	19	25	51	50	(4 x) M 6 x 20
KS 30-33 AL	19 x 6	30 - 33	20	25	63	50	(4 x) M 6 x 20
KS 34-36 AL	25 x 5		25	25	70	64	(4 x) M 8 x 25
KS 36-39 AL	25 x 6	36 - 39	25	25	69	50	(4 x) M 6 x 20
KS 40-43 AL	25 x 8	40 - 43	25	25	73	50	(4 x) M 6 x 20
KS 43-46 AL	32 x 6	43 - 46	32	25	76	50	(4 x) M 6 x 20
KS 47-51 AL	38 x 5	47 - 51	40	25	79	50	(4 x) M 6 x 20
KS 50-53 AL	38 x 6.5	50 - 53	40	25	83	50	(4 x) M 6 x 20
KS 53-56 AL	38 x 8	53 - 56	40	25	85	50	(4 x) M 6 x 20
KS 58-61 AL	40 x 10		40	25	98	57	(4 x) M 8 x 25
KS 60-64 AL	50 x 5.5	60 - 64	51	25	95	56	(4 x) M 8 x 25
KS 63-67 AL	50 x 8	63 - 67	51	25	102	56	(4 x) M 8 x 25
KS 74-77 AL	63 x 6	74 - 77	63	25	120	74	(4 x) M 10 x 40
KS 78-82 AL	63 x 8	78 - 82	63	25	120	74	(4 x) M 8 x 25
KS 85-89 AL	75 x 6		76	25	141	102	(4 x) M 10 x 40
KS 89-93 AL	75 x 8	89 - 93	76	25	132	76	(4 x) M 8 x 25
KS 94-97 AL	75 x 10	94 - 97	76	25	140	76	(4 x) M 8 x 25
KS 111-115 AL	100 x 6.5	111 - 115	100	25	-	120	-
KS 114-119 AL	100 x 8	114 - 119	100	25	166	120	(4 x) M 10 x 40
KS 118-122 AL	100 x 10	118 - 122	100	25	170	120	(4 x) M 10 x 40

DN = Nominal diameter, nominal width