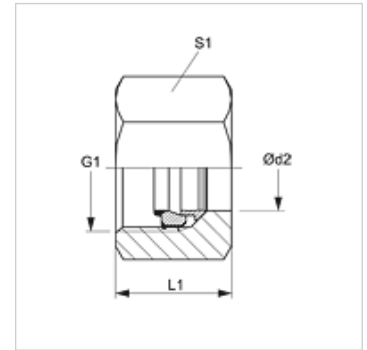
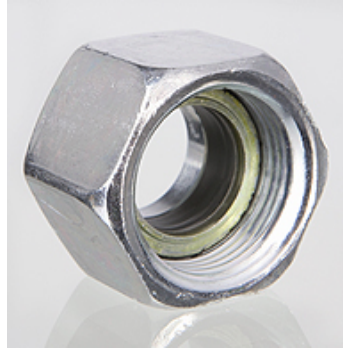


Properties

Connection 1	metric nut thread
Design	WALRING union nut
Scope of supply	Union nut, cutting ring, soft seal
Material	Steel
Surface	electro galvanised



Note

Noticeable increase in force (end stop) during assembly.
 Assembly of the UEM WR must only be used with the VOM WR.

Additional information

Economical and user-friendly due to simple replacement of the soft seal in the event of damage or repeated assembly.
 Damage is avoided because the soft seal cannot be tightened until the pipe has been packaged or pre-assembled.

Item

Identification	Series	Operating pressure	Ø d2 (mm)	G1	L1 (mm)	S1
UEM NW 04 FM L WR	L	PN 500	6	M 12 x 1.5	14,5	14
UEM NW 06 FM L WR	L	PN 500	8	M 14 x 1.5	14,5	17
UEM NW 08 FM L WR	L	PN 500	10	M 16 x 1.5	15,5	19
UEM NW 10 FM L WR	L	PN 400	12	M 18 x 1.5	15,5	22
UEM NW 13 FM L WR	L	PN 400	15	M 22 x 1.5	17,0	27
UEM NW 16 FM L WR	L	PN 400	18	M 26 x 1.5	18,0	32
UEM NW 20 FM L WR	L	PN 250	22	M 30 x 2	20,0	36
UEM NW 25 FM L WR	L	PN 250	28	M 36 x 2	21,0	41
UEM NW 32 FM L WR	L	PN 250	35	M 45 x 2	24,0	50
UEM NW 40 FM L WR	L	PN 250	42	M 52 x 2	24,0	60
UEM NW 03 FM S WR	S	PN 800	6	M 14 x 1.5	16,5	17
UEM NW 04 FM S WR	S	PN 800	8	M 16 x 1.5	16,5	19
UEM NW 06 FM S WR	S	PN 800	10	M 18 x 1.5	17,5	22
UEM NW 08 FM S WR	S	PN 630	12	M 20 x 1.5	17,5	24
UEM NW 13 FM S WR	S	PN 630	16	M 24 x 1.5	20,5	30
UEM NW 16 FM S WR	S	PN 420	20	M 30 x 2	24,0	36
UEM NW 20 FM S WR	S	PN 420	25	M 36 x 2	27,0	46
UEM NW 25 FM S WR	S	PN 420	30	M 42 x 2	29,0	50
UEM NW 32 FM S WR	S	PN 420	38	M 52 x 2	32,5	60

Series: LL = Very light L = Light S = Heavy – Ø d2 = External pipe diameter

Accessories

VOM WR Pre-assembly sockets

Spare parts

WD WR Soft seal for UEM..WR