

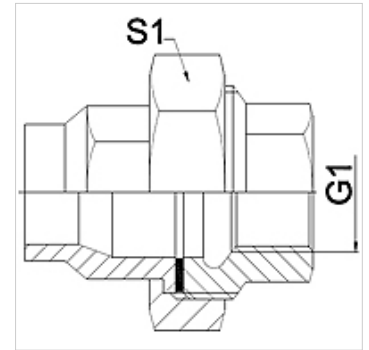
# WA VBF

Connector ... VBF, malleable cast iron

**HANSA FLEX**

## Properties

<b>Application</b>	Connection fitting for metal hoses
<b>Connection 1</b>	imperial internal thread, cylindrical
<b>Sealing form 1</b>	flat sealing
<b>Standard</b>	DIN EN 10226 / ISO 7-1
<b>Construction</b>	straight
<b>Application</b>	soldered variant temperature resistant up to 200 °C
<b>Material</b>	Malleable cast iron



## Note

Width across flats values are listed for reference purposes!

The specified working pressure PN(bar) relates to the working temperature of -20 °C to 120 °C. At working temperature of 120 °C to 200 °C the working pressure PN (bar) reduces to 22,7 bar.

## Ordering information

Other designs available on request

## Item

Identification	DN	PN (bar)	G1	S1 (mm)
WA 006 VBF	6	25	Rp 1/4"	28,0
WA 010 VBF	10	25	Rp 3/8"	32,0
WA 013 VBF	13	25	Rp 1/2"	39,0
WA 020 VBF	20	25	Rp 3/4"	48,0
WA 025 VBF	25	25	Rp 1"	55,0
WA 032 VBF	32	25	Rp 1.1/4"	67,0
WA 040 VBF	40	25	Rp 1.1/2"	74,0
WA 050 VBF	50	25	Rp 2"	90,0
WA 065 VBF	65	25	Rp 2.1/2"	111,0
WA 080 VBF	80	25	Rp 3"	130,0

## Product versions

<b>WA VBF RG</b>	Connector ... VBF, red bronze, Red bronze
<b>WA VBF VA</b>	Connector ... VBF, VA, Stainless steel