

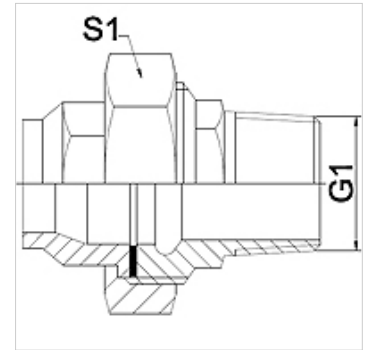
WA VCF RG

Connector ... VCF, red bronze

HANSA FLEX

Properties

| | |
|-----------------------|---|
| Application | Connection fitting for metal hoses |
| Connection 1 | imperial outer thread, conical |
| Sealing form 1 | flat sealing |
| Standard | DIN EN 10226 / ISO 7-1 |
| Application | soldered variant temperature resistant up to 200 °C |
| Construction | straight |
| Design | 3-part threaded connection |
| Material | Red bronze |



Note

Width across flats values are listed for reference purposes!

Ordering information

Other designs available on request

Item

| Identification | DN | G1 | S1 (mm) |
|----------------|----|--------|------------|
| WA 013 VCF RG | 13 | R 1/2" | 28,0 |
| WA 020 VCF RG | 20 | R 3/4" | 32,0 |
| WA 025 VCF RG | 25 | R 1" | 42,0 |

Product versions

| | |
|------------------|---|
| WA VCF | Connector ... VCF, malleable cast iron, Malleable cast iron |
| WA VCF VA | Connector ... VCF, VA, Stainless steel |