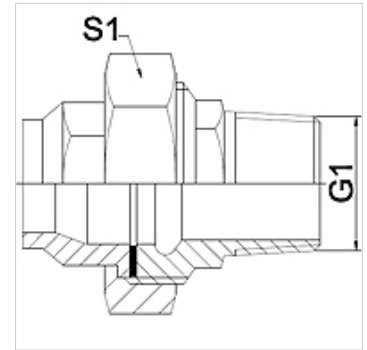


WA VCF VA

Connector ... VCF, VA

Properties

Application	Connection fitting for metal hoses
Connection 1	imperial outer thread, conical
Sealing form 1	flat sealing
Standard	DIN EN 10226 / ISO 7-1
Construction	straight
Design	3-part threaded connection
Material	Stainless steel



Note

Width across flats values are listed for reference purposes!

Ordering information

Other designs available on request

Item

Identification	DN	PN (bar)	G1	S1 (mm)
WA 006 VCFVA	6	25	R 1/4"	27,0
WA 010 VCFVA	10	25	R 3/8"	32,0
WA 013 VCF VA	13	25	R 1/2"	41,0
WA 020 VCF VA	20	25	R 3/4"	50,0
WA 025 VCF VA	25	25	R 1"	55,0
WA 032 VCF VA	32	16	R 1.1/4"	70,0
WA 040 VCF VA	40	16	R 1.1/2"	75,0
WA 050 VCF VA	50	16	R 2"	90,0
WA 065 VCF VA	65	10	R 2.1/2"	110,0

Product versions

WA VCF	Connector ... VCF, malleable cast iron, Malleable cast iron
WA VCF RG	Connector ... VCF, red bronze, Red bronze