

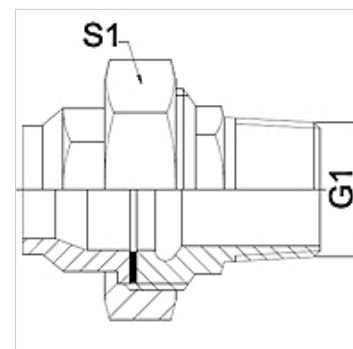
WA VCF

Connector ... VCF, malleable cast iron

HANSA FLEX

Properties

| | |
|-----------------------|---|
| Application | Connection fitting for metal hoses |
| Connection 1 | imperial outer thread, conical |
| Sealing form 1 | flat sealing |
| Standard | DIN EN 10226 / ISO 7-1 |
| Application | soldered variant temperature resistant up to 200 °C |
| Construction | straight |
| Design | 3-part threaded connection |
| Material | Malleable cast iron |



Note

Width across flats values are listed for reference purposes!

The specified working pressure PN(bar) relates to the working temperature of -20 °C to 120 °C. At working temperature of 120 °C to 200 °C the working pressure PN (bar) reduces to 22,7 bar.

Ordering information

Other designs available on request

Item

| Identification | DN | PN (bar) | G1 | S1 (mm) |
|----------------|----|----------|----------|------------|
| WA 006 VCF | 6 | 25 | R 1/4" | 28,0 |
| WA 013 VCF | 13 | 25 | R 1/2" | 39,0 |
| WA 020 VCF | 20 | 25 | R 3/4" | 48,0 |
| WA 025 VCF | 25 | 25 | R 1" | 55,0 |
| WA 032 VCF | 32 | 25 | R 1.1/4" | 67,0 |
| WA 040 VCF | 40 | 25 | R 1.1/2" | 74,0 |
| WA 050 VCF | 50 | 25 | R 2" | 90,0 |

Product versions

| | |
|------------------|---|
| WA VCF RG | Connector ... VCF, red bronze, Red bronze |
| WA VCF VA | Connector ... VCF, VA, Stainless steel |