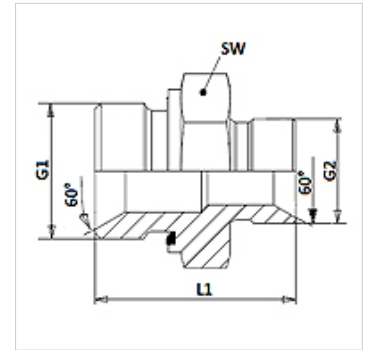


GE HRED HB

Screw-in sockets

Properties

Connection 1	BSP external thread, cylindrical
Sealing form 1	Shape E
Connection 2	BSP cylindrical external threads
Sealing form 2	60° inner cone
Design	Screw-in sockets
Construction	straight
Material	Steel
Surface	electro galvanised



Note

Can be used as a screwing agent with ED and as a connector with 60° inside taper

Item

Identification	G1	G2	L1 (mm)	AF (mm)
GE HRED 02 HB	G 1/8" -28	G 1/8" -28	24,0	14
GE HRED 04 HB 02	G 1/4" -19	G 1/8" -28	28,5	19
GE HRED 04 HB	G 1/4" -19	G 1/4" -19	33,0	19
GE HRED 04 HB 06	G 1/4" -19	G 3/8" -19	34,5	19
GE HRED 06 HB 04	G 3/8" -19	G 1/4" -19	33,5	22
GE HRED 06 HB	G 3/8" -19	G 3/8" -19	35,0	22
GE HRED 06 HB 08	G 3/8" -19	G 1/2" -14	38,5	22
GE HRED 08 HB 06	G 1/2" -14	G 3/8" -19	37,5	27
GE HRED 08 HB	G 1/2" -14	G 1/2" -14	41,0	27
GE HRED 08 HB 10	G 1/2" -14	G 5/8" -14	43,0	27
GE HRED 08 HB 12	G 1/2" -14	G 3/4" -14	45,0	32
GE HRED 12 HB 08	G 3/4" -14	G 1/2" -14	43,0	32
GE HRED 12 HB	G 3/4" -14	G 3/4" -14	47,0	32
GE HRED 12 HB 16	G 3/4" -14	G 1" -11	51,0	32
GE HRED 16 HB 12	G 1" -11	G 3/4" -14	49,0	41
GE HRED 16 HB	G 1" -11	G 1" -11	53,0	41
GE HRED 20 HB 16	G 1.1/4" -11	G 1" -11	55,0	50
GE HRED 20 HB	G 1.1/4" -11	G 1.1/4" -11	58,0	50
GE HRED 24 HB	G 1.1/2" -11	G 1.1/2" -11	64,0	55

AF = Width across flats

Spare parts

WD Soft seal for ED fittings