

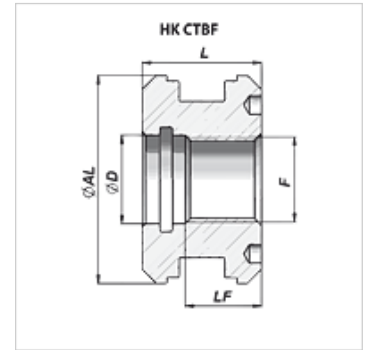
HK CTBF

Short threaded piston for hydraulic cylinders

Properties

Material Steel 9SMn28

Use Suitable for cylinder HK HFR 2S



Note

Suitable packing sets can be supplied on request.

Item

Identification	Ø AL (mm)	Ø D (mm)	F	L (mm)	LF (mm)	Weight (kg)
HK CTBF 040 M16	40	17,0	M 16x1.5	27	19	0,17
HK CTBF 050 M20	50	21,0	M 20x1.5	30	21	0,29
HK CTBF 060 M24	60	25,1	M 24x2	35	24	0,45
HK CTBF 063 M24	63	25,0	M 24x2	35	23	0,50
HK CTBF 070 M24	70	25,1	M 24x2	35	24	0,70
HK CTBF 080 M27	80	28,1	M 27x2	40	26	1,10
HK CTBF 100 M33	100	35,1	M 33x2	40	26	1,80