

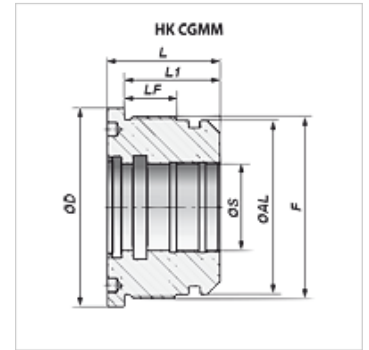
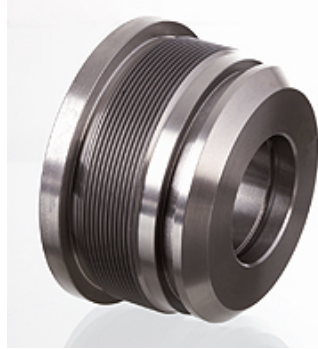
HK CGMM

Guide housing for double-acting hydraulic cylinders 250 bar

Properties

Material Cast steel UNI 5007-G26

Use Suitable for cylinder HK HFR 2S



Note

Suitable packing sets can be supplied on request.

Item

Identification	Ø A (mm)	Ø D (mm)	Ø S (mm)	F	L (mm)	L1 (mm)	LF (mm)	Weight (kg)
HK CGMM 114 100 050	100	114	50	M 105x2	65	55	30	2,9