

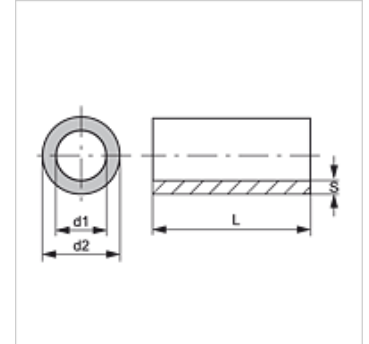
KUR K

Copper pipe, refrigerator quality

Properties

Design Copper conduit

Material Copper



Item

Identification	Ø d2 (mm)	Ø d1 (mm)	S (mm)
KUR 10-1 K	10,00	8,00	1,00
KUR 12-1 K	12,00	10,00	1,00
KUR 15-1 K	15,00	13,00	1,00
KUR 18-1 K	18,00	16,00	1,00