

# HK PAM 015 T

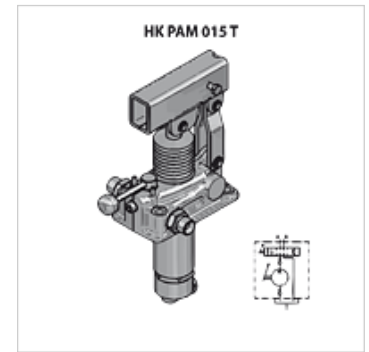
Manual pump for tank installation with directional control valve

**HANSA FLEX**

## Properties

**Scope of supply** incl. seal and screw set

**Material** Housing: cast iron, inner parts steel



## Note

The pressure relief valves must be set according to the application.

## Ordering information

Caution! Remember to order the hand lever HKPAM0290000!

## Item

Identification	Thread	Vdh (ccm) (cc)	Design	p max. (bar)	Pressure (30)* (bar)	Weight (kg)
HK PAM 015 1200	2 x 3/8" AG	12	with 4/3-way valve	380	160	2,85
HK PAM 015 1202	2 x 3/8" AG	12	with pressure relief valve and 4/3-way valve	380	160	3,00
HK PAM 015 2500	2 x 3/8" AG	25	with 4/3-way valve	350	100	2,95
HK PAM 015 2502	2 x 3/8" AG	25	with pressure relief valve and 4/3-way valve	350	100	3,10
HK PAM 015 4500	2 x 3/8" AG	45	with 4/3-way valve	280	80	3,15
HK PAM 015 4502	2 x 3/8" AG	45	with pressure relief valve and 4/3-way valve	280	80	3,30

Vdh = conveying volume per double stroke – Pressure (30)= pressure with hand force 30 daN with standard lever

## Accessories

HK PAM Hebel Lever for PAM manual pump

HK PM0 022 Tank for PAM manual pump

HK PAM Faltenbalg Bellows for PAM manual pump