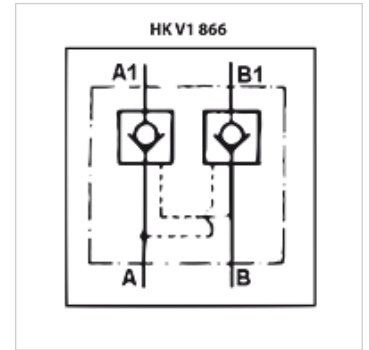


HK V1 866

V1866 non-return valve

Properties

Design	Cone locking pilot-controlled - double-acting
Material	Housing: Galvanised steel Inside parts of hardened steel
Operating pressure	max. 350 bar
Connection	A1 and B1 with M18 x 1.5



Item

Identification	p max. (bar)	Opening pressure (bar)	Level control ratio	Q max. (L/min)	H (mm)	Weight (kg)
HK V1 866 0600	350	4,0	1:4.5	20	40	0,54