

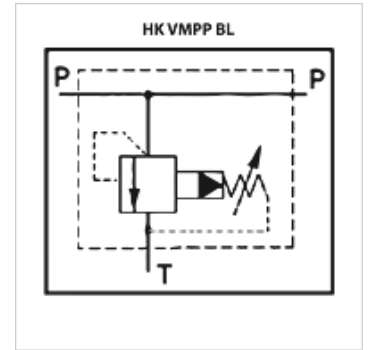
HK VMPP BL

VMPP BL pilot-controlled pressure relief valve

HANSA FLEX

Properties

Design	pilot-controlled
Operating pressure	max. 350 bar



Note

These valves must be set according to the application.

Item

Identification	Setting	Connections P + T	Pressure setting range bar	Q max. (L/min)	A (mm)	B (mm)	D (mm)	E (mm)	F (mm)	G (mm)	Depth (mm)	Material	Z (mm)	Weight (kg)
HK VMPP BL 45 114	Screw	G 1.1/4"	50 - 220	250	100	135	70	35	80	68	70	Aluminium	10,5	1,20
HK VMPP BL 45 114 V	Handwheel	G 1.1/4"	50 - 220	250	100	135	70	35	80	68	70	Aluminium	10,5	1,20
HK VMPP BL 45 114 S	Screw	G 1.1/4"	180 - 350	250	100	135	70	35	80	68	70	Steel	10,5	1,45
HK VMPP BL 45 114 S V	Handwheel	G 1.1/4"	180 - 350	250	100	135	70	35	80	68	70	Steel	10,5	6,00

Material applies to the housing