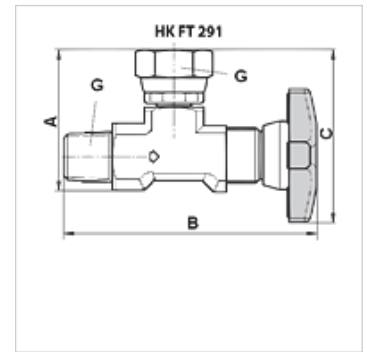


# HK FT 291

Pressure gauge shut-off valve FT291

## Properties

<b>Design</b>	rectangular
<b>Material</b>	Steel with plastic wheel
<b>Operating pressure</b>	max. 400 bar



## Description

Isolation and throttle non-return valve for hydraulic pressure gauge

## Item

Identification	A (mm)	B (mm)	C (mm)	G	Weight (kg)
HK FT 291-14	39	69	48	1/4" AG/IG	0,11