

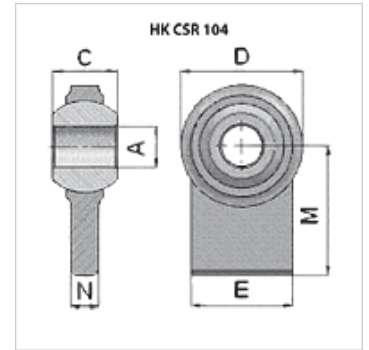
# HK CSR 104

Pivot yoke

## Properties

**Application** Agricultural machines

**Material** Steel C40



## Item

Identification	C (mm)	E (mm)	M (mm)	N (mm)	A (mm)	D (mm)	Weight (kg)
HK CSR 00 104 95	20,0	30	60,00	11,0	16,2	46	0,26