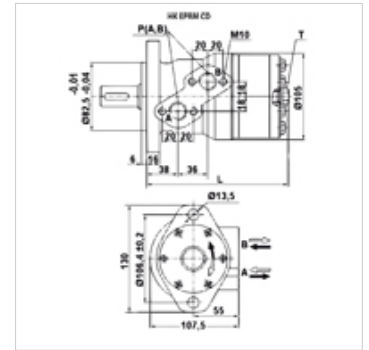


HK EPRM CD

EPRM geroller motor

Properties

Connection	Oil fittings: A + B = G 1/2"; leak oil = G 1/4"
Design	Standard variant Type "CD" with high-pressure gasket two hole flange bolt circle 106.4 Shaft Ø 25mm
Intake and return pressure with leak oil line max.	175 bar



Item

Identification	Flow rate max. (L/min)	Displacement (cc)	Speed min. (rpm)	Speed max. (rpm)	Torque max. (N-m)	Pressure drop max. (bar)	Pmax. at 0-100 rpm (bar)	Pmax. at 100-300 rpm (bar)	Pmax. at 300-600 rpm (bar)	Pmax. at 600 rpm (bar)	L (mm)	Weight (kg)
HK EPRM 050 CD	40	51,5	10	775	100	140	150	75	50	20	138	6,8
HK EPRM 080 CD	60	80,3	10	750	195	175	150	75	50	20	143	6,9
HK EPRM 100 CD	60	99,8	10	600	240	175	150	75	50	-	147	7,2
HK EPRM 125 CD	60	125,7	10	475	300	175	150	75	50	-	151	7,3
HK EPRM 160 CD	60	159,6	10	375	390	175	150	75	50	-	157	7,5
HK EPRM 200 CD	60	199,8	10	300	385	140	150	75	-	-	164	8,0
HK EPRM 250 CD	60	250,1	10	240	390	110	150	75	-	-	173	8,4
HK EPRM 315 CD	60	315,7	10	190	390	90	150	75	-	-	184	9,1
HK EPRM 400 CD	60	397,0	10	150	380	70	150	75	-	-	198	9,8

max. pressure on shaft seal (without leak oil line) or pressure in leak oil line – Values for torque and pressure drop apply for continuous operation – pmax = max. pressure

Accessories

HK V0 590 Shock valve

Spare parts

HK EP DS Seal kit for hydraulic planetary motor