

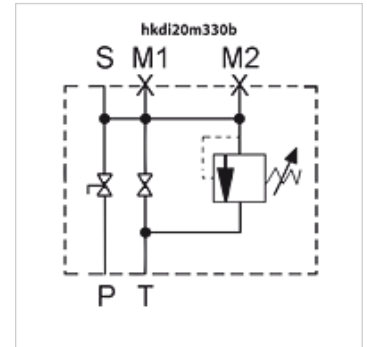
HK DI 20

Safety and isolation block with manual relief

HANSA FLEX

Properties

Design	Safety valve
Operating pressure	max. 400 bar
Additional feature	with TÜV certification
Material	Seal: VITON



Note

Safety valve is preset; observe the maximum pressure when allocating to the corresponding accumulator!

Description

The safety and isolation block is used to protect, shut off and discharge hydraulic accumulators. It is designed and manufactured in accordance with Directive 2014/68/EU (PED), Article 3 Para. 3 and takes into account the European safety regulations for the operation of hydraulic accumulators. Discharging the accumulator is done manually at a ball valve or a relief valve.

Viscosity of the fluids must lie within the following limits:

min. 10 mm²/s, max. 380 mm²/s

Ordering information

Caution! Please order adapter for corresponding accumulator separately!

Item

Identification	p max. (bar)	M1	M2	P	S	T	Weight (kg)
HK DI 20 M 330 B	330	1/2"	1/4"	1"	M 33x2 cylinder connection	3/4"	6,8

pmax: Safety valve is preset, – observe the maximum pressure when allocating to the corresponding accumulator!

Accessories

HK AS	Accumulator adapters for safety and isolation block
HK MSM	Lock nuts for diaphragm accumulator C