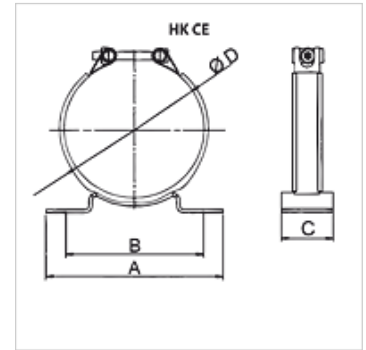


HK CE

Accumulator clamp

Properties

Use To fasten pressure accumulators



Note

Accumulator clamps are designed for static operation.

Item

Identification	Clamping range (mm)	A (mm)	B (mm)	C (mm)	Ø D (mm)	Weight (kg)
HK CE 75	74 - 77	120	93	40	75	0,50
HK CE 95	87 - 97	155	120	40	95	0,65
HK CE 106	99 - 109	155	120	50	106	0,65
HK CE 114	112 - 124	155	120	50	114	0,75
HK CE 136	128 - 138	155	120	50	136	0,85
HK CE 155	146 - 157	210	120	50	155	1,00
HK CE 168	167 - 179	236	183	60	168	1,00

Accessory for following products

HK OLM A	Diaphragm accumulator, connection A
HK OLM C	Diaphragm accumulator, connection C
HK BLAK	Bladder accumulator