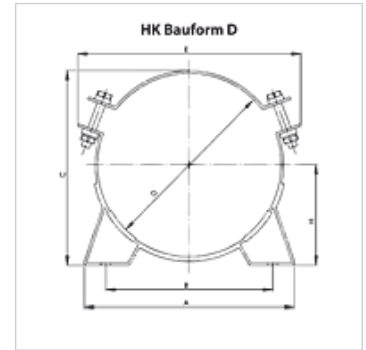


HK CD

Accumulator clamp

Properties

Use To fasten pressure accumulators



Note

Accumulator clamps are designed for static operation.

Item

Identification	Clamping range (mm)	A (mm)	B (mm)	C (mm)	Ø D (mm)	E (mm)	H (mm)	Weight (kg)
HK CD 226	219 - 226	270	216	241	226	295	123	1,40

Accessory for following products

HK BLAK Bladder accumulator