

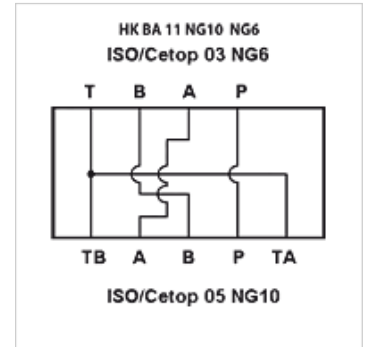
# HK BA 11 NG10 NG6

Reducer plate NG10 - NG6

**HANSA FLEX**

## Properties

<b>Scope of supply</b>	incl. screw set (4x M6 x 30) incl. O-rings (5x OR 12.42 x 1.78 / 70 Sh)
<b>Material</b>	Material: Steel (350 bar)
<b>Connection</b>	ISO/Cetop 05 size 10



## Note

Caution! Connectors A and B are reversed on the size 6 side.  
Further sub-bases available on request

## Item

Identification	Stations	Height (mm)	Width (mm)	Length (mm)	Weight (kg)
HK BA 115	Reducer plate NG10 to NG6	30	65	70	1,0