

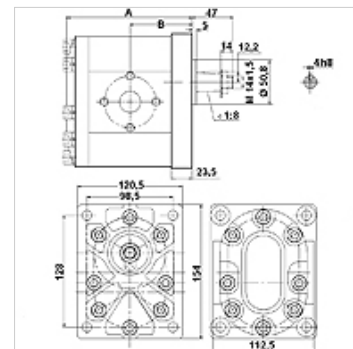
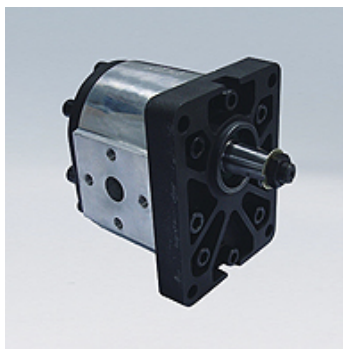
HK CBD1 F5

Gear pump, size 3 CBD1F5

HANSA FLEX

Properties

Design	Economy variant Front flange and end cover in cast steel
Pitch circle pressure side	51 / M10
Pitch circle suction side	51/M10 from 20 to 46 VFU ccm 62/M10 from 55 to 63 VFU ccm
Material	Housing: Aluminium Front flange, end cover: Cast steel



Description

European standard pump – hole pattern 128 x 98 – dia. 50.8 – taper 1:8 – flange fitting

Ordering information

Further pump versions available on request

Item

Identification	VFU (ccm) (cc)	p1 max. (bar)	p2 max. (bar)	p3 max. (bar)	A (mm)	B (mm)	Direction of rotation	Speed min. (rpm)	Speed max. (rpm)	Weight (kg)
HK CBD1F5 20 F37 Z20	20,00	200	220	250	119,0	58,75	clockwise rotating	700	2000	7,00
HK CBD1F5 20 F37 Z2L	20,00	200	220	250	119,0	58,75	anti-clockwise rotating	700	2000	7,00
HK CBD1F5 26 F37 Z20	26,00	200	220	250	123,5	61,00	clockwise rotating	700	2000	7,30
HK CBD1F5 26 F37 Z2L	26,00	200	220	250	123,5	61,00	anti-clockwise rotating	700	2000	7,30
HK CBD1F5 33 F37 Z20	33,00	200	220	250	128,5	63,50	clockwise rotating	700	2000	7,40
HK CBD1F5 33 F37 Z2L	33,00	200	220	250	128,5	63,50	anti-clockwise rotating	700	2000	7,40
HK CBD1F5 39 F37 Z20	39,00	200	220	250	132,5	65,50	clockwise rotating	700	2000	7,50
HK CBD1F5 39 F37 Z2L	39,00	200	220	250	132,5	65,50	anti-clockwise rotating	700	2000	7,50
HK CBD1F5 46 F37 Z20	46,00	200	220	250	138,0	68,25	clockwise rotating	700	2000	7,70
HK CBD1F5 46 F37 Z2L	46,00	200	220	250	138,0	68,25	anti-clockwise rotating	700	2000	7,70
HK CBD1F5 55 F39 Z20	55,00	200	220	250	143,0	70,25	clockwise rotating	700	2000	8,20
HK CBD1F5 55 F39 Z2L	55,00	200	220	250	143,0	70,25	anti-clockwise rotating	700	2000	8,20
HK CBD1F5 63 F39 Z20	63,00	200	220	250	149,5	74,00	clockwise rotating	700	2000	8,50
HK CBD1F5 63 F39 Z2L	63,00	200	220	250	149,5	74,00	anti-clockwise rotating	700	2000	8,50

VFU = conveying volume per revolution – p1 = continuous pressure – p2 = working pressure – p3 = maximum pressure

Accessories

WDA	Pump connection (3 hole), angle 90°
WDS	Pump connection (3 hole), angle 90°
F	Pump connection (4 hole)
FE	Pump connection (4 hole)

Additional elements

HK MPK	Selection chart for motor/pump combination for gear pumps
---------------	-----------------------------------------------------------