

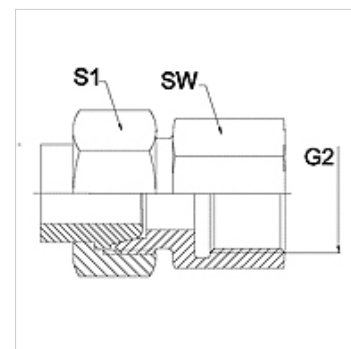
WA AFL-GAR

Connector ... AFL-GAR, steel

HANSA FLEX

Properties

Application	Connection fitting for metal hoses
Connection 1	imperial internal thread, cylindrical
Sealing form 1	conical seat
Standard	DIN EN 10226 / ISO 7-1
Construction	straight
Design	3-part threaded connection
Material	Steel



Note

Width across flats values are listed for reference purposes!

Ordering information

Other designs available on request

Item

Identification	DN	PN (bar)	G2	AF (mm)	S1 (mm)
WA 006 AFL-GAR	6	250	G 1/4" -19	19	17,0
WA 008 AFL-GAR	8	250	G 1/4" -19	19	19,0
WA 010 AFL-GAR	10	250	G 3/8" -19	22	22,0
WA 013 AFL-GAR	13	250	G 1/2" -14	27	27,0
WA 016 AFL-GAR	16	160	G 1/2" -14	27	32,0
WA 020 AFL-GAR	20	160	G 3/4" -14	32	36,0
WA 025 AFL-GAR	25	100	G 1" -11	41	41,0
WA 032 AFL-GAR	32	100	G 1.1/4" -11	50	50,0
WA 040 AFL-GAR	40	100	G 1.1/2" -11	55	60,0

Product versions

WA AFL-GAR VA Connector ... AFL-GAR, VA, Stainless steel