

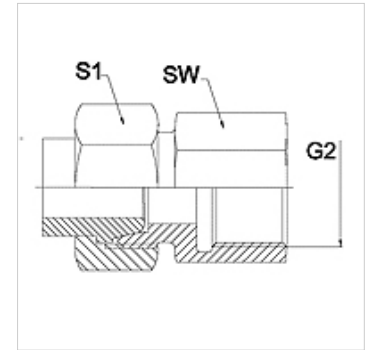
WA AFL-GAR VA

Connector ... AFL-GAR, VA

HANSA FLEX

Properties

Application	Connection fitting for metal hoses
Connection 1	imperial internal thread, cylindrical
Sealing form 1	conical seat
Standard	DIN EN 10226 / ISO 7-1
Construction	straight
Design	3-part threaded connection
Material	Stainless steel



Note

Width across flats values are listed for reference purposes!

Ordering information

Other designs available on request

Item

Identification	DN	PN (bar)	G2	AF (mm)	S1 (mm)
WA 006 AFL-GAR VA	6	250	G 1/4" -19	19	17,0
WA 008 AFL-GAR VA	8	250	G 1/4" -19	19	19,0
WA 010 AFL-GAR VA	10	250	G 3/8" -19	22	22,0
WA 013 AFL-GAR VA	13	250	G 1/2" -14	27	27,0
WA 016 AFL-GAR VA	16	160	G 1/2" -14	27	32,0
WA 020 AFL-GAR VA	20	160	G 3/4" -14	32	36,0
WA 025 AFL-GAR VA	25	100	G 1" -11	41	41,0
WA 032 AFL-GAR VA	32	100	G 1.1/4" -11	50	50,0
WA 040 AFL-GAR VA	40	100	G 1.1/2" -11	55	60,0

Product versions

WA AFL-GAR Connector ... AFL-GAR, steel, Steel