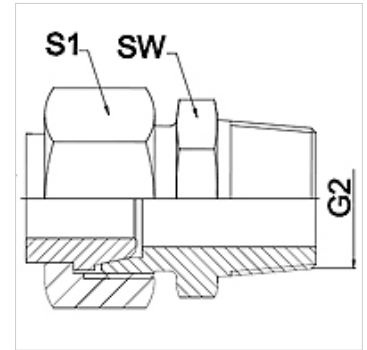


WA AFL-VRK VA

Connector ... AFL-VRK, VA

Properties

Application	Connection fitting for metal hoses
Connection 1	imperial outer thread, conical
Sealing form 1	conical seat
Standard	DIN EN 10226 / ISO 7-1
Construction	straight
Design	3-part threaded connection
Material	Stainless steel



Note

Width across flats values are listed for reference purposes!

Ordering information

Other designs available on request

Item

Identification	DN	PN (bar)	G2	AF (mm)	S1 (mm)
WA 006 AFL-VRK VA	6	250	R 1/4"	17	17,0
WA 008 AFL-VRK VA	8	250	R 1/4"	17	19,0
WA 010 AFL-VRK VA	10	250	R 3/8"	24	22,0
WA 013 AFL-VRK VA	13	250	R 1/2"	27	27,0
WA 016 AFL-VRK VA	16	160	R 1/2"	27	32,0
WA 020 AFL-VRK VA	20	160	R 3/4"	36	36,0
WA 025 AFL-VRK VA	25	100	R 1"	41	41,0
WA 032 AFL-VRK VA	32	100	R 1.1/4"	50	50,0
WA 040 AFL-VRK VA	40	100	R 1.1/2"	60	60,0

Product versions

WA AFL-VRK	Connector ... AFL-VRK, steel, Steel
-------------------	-------------------------------------