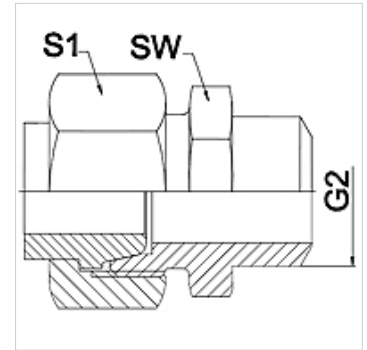


# WA AFL-SA

Connector ... AFL-SA, steel

## Properties

<b>Application</b>	Connection fitting for metal hoses
<b>Connection 1</b>	Welded on socket for metric pipe
<b>Sealing form 1</b>	conical seat
<b>Construction</b>	straight
<b>Design</b>	3-part threaded connection
<b>Material</b>	Steel (weldable)



## Note

Width across flats values are listed for reference purposes!

## Ordering information

Other designs available on request

## Item

Identification	DN	PN (bar)	G2 (mm)	AF (mm)	S1 (mm)
WA 006 AFL-SA	6	250	12	14	17,0
WA 008 AFL-SA	8	250	14	17	19,0
WA 010 AFL-SA	10	250	16	19	22,0
WA 013 AFL-SA	13	250	19	22	27,0
WA 016 AFL-SA	16	160	22	27	32,0
WA 020 AFL-SA	20	160	27	32	36,0
WA 025 AFL-SA	25	100	32	41	41,0
WA 032 AFL-SA	32	100	40	46	50,0
WA 040 AFL-SA	40	100	46	55	60,0

## Product versions

WA AFL-SA VA Connector ... AFL-SA, VA, Stainless steel