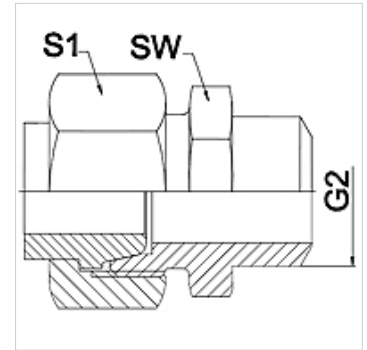


WA AFL-SA VA

Connector ... AFL-SA, VA

Properties

Application	Connection fitting for metal hoses
Connection 1	Welded on socket for metric pipe
Sealing form 1	conical seat
Construction	straight
Design	3-part threaded connection
Material	Stainless steel



Note

Width across flats values are listed for reference purposes!

Ordering information

Other designs available on request

Item

Identification	DN	PN (bar)	G2 (mm)	AF (mm)	S1 (mm)
WA 006 AFL-SA VA	6	250	12	14	17,0
WA 008 AFL-SA VA	8	250	14	17	19,0
WA 010 AFL-SA VA	10	250	16	19	22,0
WA 013 AFL-SA VA	13	250	19	22	27,0
WA 016 AFL-SA VA	16	160	22	27	32,0
WA 020 AFL-SA VA	20	160	27	32	36,0
WA 025 AFL-SA VA	25	100	32	41	41,0
WA 032 AFL-SA VA	32	100	40	46	50,0
WA 040 AFL-SA VA	40	100	46	55	60,0

Product versions

WA AFL-SA Connector ... AFL-SA, steel, Steel (weldable)