

CH3 FPM-C

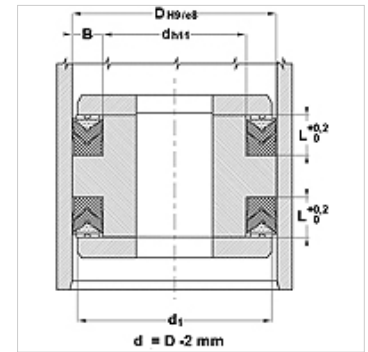
Chevron piston ring CH3

Properties

Design	Chevron piston ring
Operating pressure	up to 400 bar
Sliding speed max.	0,5 m/s
Temp. min.	-30 °C
Temp. max.	150 °C
Media	Mineral oils Water emulsions
Installation	on multi-part pistons



Toleranz / Tolerance			
D	d	d1	L
H9 / e8	h11	0/-0,30	0/+0,30



Description

High temperature resistance.
for difficult working conditions such as hydraulic shocks,
Strong vibrations or poor surfaces.

Ordering information

For special operating conditions (fluid, temperature, pressure ...) please contact us.

Item

Identification	D (mm)	d (mm)	L (mm)
CH3-100 FPM-C	100	80	21,2
CH3-140 FPM-C	140	115	25,8