

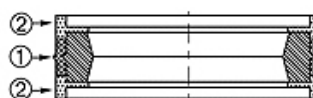
DPS SI

Piston packing set for one-piece pistons DPS SI

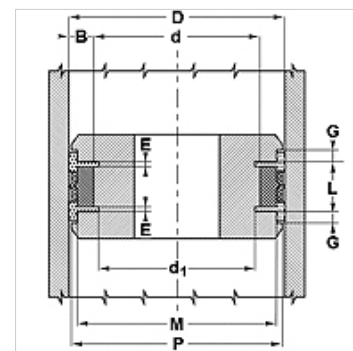
HANSA FLEX

Properties

Design	Piston packing set
Operating pressure	up to 300 bar
Sliding speed max.	0,5 m/s
Temp. min.	-30 °C
Temp. max.	110 °C
Media	Mineral oils Water emulsions
Material	(1) Seal: fabric-reinforced NBR (2) Guide ring: acetal resin
Application	Hydraulics



Toleranz / Tolerance					
D	d	L	G	M	P
H11	+0,10 0	+0,25 0	+0,10 0	± 0,05	± 0,15



Description

Low-friction seal.
Simple solution.

Ordering information

For special operating conditions (fluid, temperature, pressure ...) please contact us.
Alternative material possible: FPM.

Item

Identification	D (mm)	d (mm)	L (mm)	G (mm)	M (mm)	P (mm)	d1 (mm)	E (mm)
DPS 30 22-SI	30	22	13,5	3,20	26	29,4	19,00	2,1
DPS 32 24-SI	32	24	15,5	3,20	28	31,4	21,00	3,1
DPS 35 27-SI	35	27	15,5	3,20	31	34,4	24,00	3,1
DPS 45 37-SI	45	37	15,5	3,20	41	44,4	34,10	3,1