

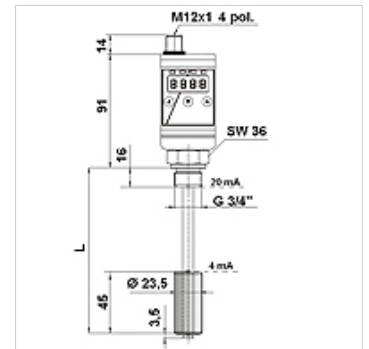
HK NTM XP

Level/temperature switch with LED display HK NTMXP

HANSA FLEX

Properties

Operating pressure	max. 1 bar
Operating temperature max.	70 °C
Connection	G 3/4" male
Operating voltage	24 V DC
Electrical connection	M12x1, 4-polig
Protection IP	IP 65
Material	Float SK 601 - hard PU Switching tube - brass Gasket: NBR
Scope of supply	without plug



Description

Housing can be rotated to 270°

Output: 2x PNP (freely programmable, NC/NO, window/hysteresis)

Min./max. value memory

Level measurement: Sensor length 45 mm, display resolution 10 mm

Temperature measurement: -20 °C to +120 °C (PT100)

Accuracy ±1 % of range limit value

Ordering information

Order M12 plug with cable separately

Item

Identification	L (mm)	Weight (kg)
HK NTM XP MS 2S 280	280	0,39
HK NTM XP MS 2S 370	370	0,41
HK NTM XP MS 2S 500	500	0,43

Accessories

HK DSR 4POL M12 4-pin angle plug with cable