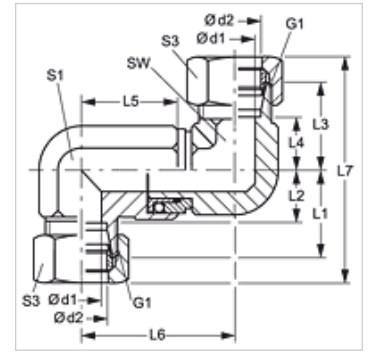


# DG D H

Rotary fitting 2x 90°, friction bearing

## Properties

<b>Connection 1</b>	metric cylindrical outer thread
<b>Sealing form 1</b>	24° inner cone
<b>Connection 2</b>	metric cylindrical outer thread
<b>Sealing form 2</b>	24° inner cone
<b>Design</b>	Rotary fitting
<b>Construction</b>	Double angle 90°
<b>Scope of supply</b>	Socket (without union nut and cutting ring)
<b>Material</b>	Steel
<b>Surface</b>	electro galvanised



## Note

Information about fitting, installation, pressure loads and permissible operating temperatures can be found in the technical information for pipe fittings.

## Item

Identification	Series	Operating pressure	Ø d2 (mm)	G1	L1 (mm)	L2 (mm)	L3 (mm)	L4 (mm)	L6 (mm)	AF (mm)
DG D NW 08 HS H	S	PN 400	12	M 20 x 1.5	28	20,5	28	20,5	32	32
DG D NW 13 HS H	S	PN 400	16	M 24 x 1.5	34	25,5	34	25,5	40	40
DG D NW 16 HS H	S	PN 250	20	M 30 x 2	38	27,5	38	27,5	45	45
DG D NW 20 HS H	S	PN 250	25	M 36 x 2	45	33,0	45	33,0	55	55
DG D NW 25 HS H	S	PN 250	30	M 42 x 2	52	38,5	52	38,5	65	65
DG D NW 32 HS H	S	PN 250	38	M 52 x 2	59	43,0	59	43,0	75	75

Series: LL = Very light L = Light S = Heavy – PN = Nominal pressure PB = Max. operating pressure – Ø d2 = External pipe diameter