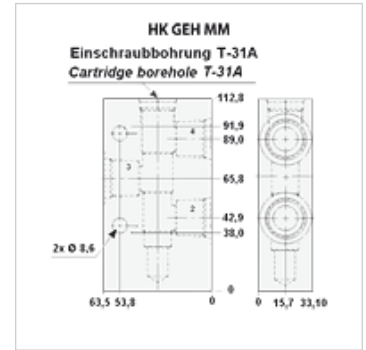


# HK GEH MM

Valve housing for cartridge valve T-31A

## Properties

<b>Material</b>	Aluminium Steel
<b>Operating pressure</b>	up to 350 bar



## Item

Identification	Connection <sup>2,3,5</sup>	Operating pressure	Valve bore	Material	for valve type	Weight (kg)
HK MMU	G 3/8"	max. 210 bar	T-31A	Aluminium	HK FSBS / HK FSCS	0,7
HK MMU S	G 3/8"	max. 350 bar	T-31A	Steel	HK FSBS / HK FSCS	1,6
HK MMV	G 1/2"	max. 210 bar	T-31A	Aluminium	HK FSBS / HK FSCS	0,7
HK MMV S	G 1/2"	max. 350 bar	T-31A	Steel	HK FSBS / HK FSCS	1,6

## Accessory for following products

HK FS	Flow divider / combiner FS
-------	----------------------------