

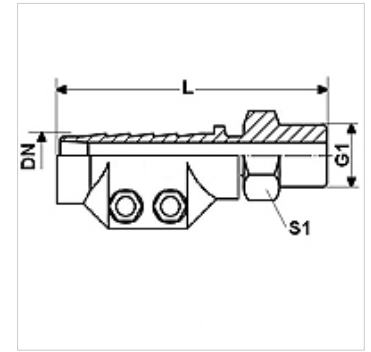
# DAMPF HR MG

Steam fittings HR, with brass clamping shell

**HANSA FLEX**

## Properties

<b>Application</b>	Hot water or saturated steam applications
<b>Connection 1</b>	BSPT conical external threads
<b>Sealing form 1</b>	flat sealing
<b>Operating pressure</b>	up to 18 bar
<b>Short code</b>	AGR-Flat
<b>Standard</b>	DIN EN 14423 thread standard ISO 228/DIN 2999
<b>Scope of supply</b>	with clamping shells
<b>Temp. range</b>	saturated steam up to +210 °C hot water up to +120 °C
<b>Material</b>	Brass Pressed brass clamping shells



## Item

Identification	DN	Size	Inches	G1	L (mm)	Clamping range (mm)	S1 (mm)
<b>DAMPF 13 HR MG</b>	12	8	1/2"	G 1/2" -14	95,0	24 - 26	22
<b>DAMPF 19 HR MG</b>	19	12	3/4"	G 3/4" -14	95,0	32 - 34	27
<b>DAMPF 25 HR MG</b>	25	16	1"	G 1" -11	100,0	39 - 41	36
<b>DAMPF 32 HR MG</b>	31	20	1.1/4"	G 1.1/4" -11	105,0	47 - 50	46
<b>DAMPF 38 HR MG</b>	38	24	1.1/2"	G 1.1/2" -11	125,0	53 - 56	50
<b>DAMPF 50 HR MG</b>	51	32	2"	G 2" -11	140,0	67 - 69	60

DN = Nominal diameter, nominal width

## Product versions

<b>DAMPF AR</b>	Steam fittings AR, with steel clamping shell, Steel
<b>DAMPF AR VA</b>	Steam fittings AR, with stainless steel clamping shell, Stainless steel